

How Does It Work?

Your house water pressure is the source of the energy needed to pump excess water out of the sump pit. Once the sump water level reaches a pre-set height, the hydraulic float switch automatically activates Water Commander™. Water is quickly drawn out of the sump with a strong suction and is discharged to the exterior.

Water Commander™ is the most reliable backup sump pump you can buy. It runs without limit, providing you with unmatched protection against basement flooding.

You should not install Water Commander™ if you have a residential well as your water source, as the pressure will not be present during a power outage.

Where to Purchase Water Commander™

Authorized dealers/installers are available in most states and metropolitan areas. Call or email us to get the name of a local installer. We recommend licensed plumbers for correct installation of Water Commander™.

Tane Corporation

Palatine, IL 847.705.7125
www.watercommander.com

WATER COMMANDER™ Pumping Capacity in Gallons per Hour*

City Water Pressure	40 PSI	60 PSI	80 PSI
Model MG22 High Performance	809 GPH	1,324 GPH	1,843 GPH
Model MG36 Ultra Performance	1,320 GPH	2,160 GPH	2,700 GPH

*Pumping capacities are at 10 ft. lift

Distributed by:



No Batteries
No Electricity
Never Dies

www.watercommander.com
info@tanecorp.com 847.705.7125

High Performance Model MG22



Water Commander™ model MG22 is our most popular model, a true workhorse that is installed in thousands of homes across the country.

¾" or 1" water supply

From 40 PSI to 125 PSI house water pressure

1 ¼" PVC suction and discharge pipes

Ultra Performance Model MG36



Water Commander™ model MG36 is the most powerful water-powered backup sump pump available anywhere.

¾" or 1" water supply

From 40 PSI to 125 PSI house water pressure

1 ½" PVC suction and discharge pipes

Non-Electric

Water Commander™ uses your home's water pressure to operate – no battery or electricity is needed. It will pump as needed during power outages or primary sump pump failure. Water Commander™ will also work in tandem with your electrical sump pump if necessary in an extreme downpour.

Powerful

Water Commander™ can easily match or outpump your electric sump pump. See our pumping rates table to see just how powerful it is.

Dependable

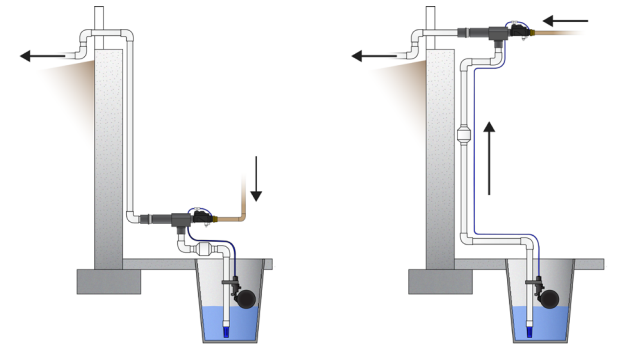
Water Commander™ will activate and empty your sump automatically; there is no need to be home as you would if using a generator. Even if you are gone for weeks, Water Commander™ will stay on duty and operate at full power as needed.

Unlike battery backups, Water Commander™ will operate as needed for an unlimited amount of time. No maintenance is required. There is no future battery replacement needed. A battery backup will provide 5 to 7 hours of continuous run time when the battery is brand new, but as time goes on the battery will lose power even if it is never used. Most batteries must be replaced after two to three years regardless of usage. Water Commander™, on the other hand, will run reliably without limit for many years.

Easy to Install

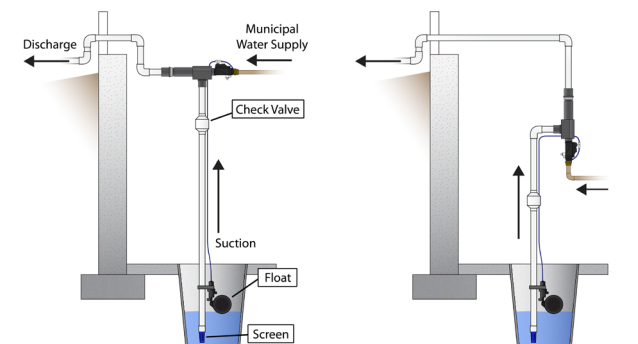
Water Commander™ is adaptable to the space available. Both the suction and discharge pipes can be turned multiple times if needed. You can install it at floor level on the wall or high up on the joist. Water Commander™ can even be oriented horizontally or vertically without affecting pumping performance.

Water Commander™ has a very powerful suction and can operate equally well in any position or orientation.



Floor Level

Turns in Suction Pipe



Standard Installation

Vertical Pump Orientation